

GMP2L2812

# VARIFOCAL LENSES

1/2.7" 2MP 2.8-12mm CS Mount Varifocal Lens



## Key Features

---

- 2MP 1/2.7" 2.8-12mm F1.4 Lens
- CS mount varifocal lens

The Genie **GMP2L2812** is a 2MP 2.8-12mm CS mount varifocal lens.



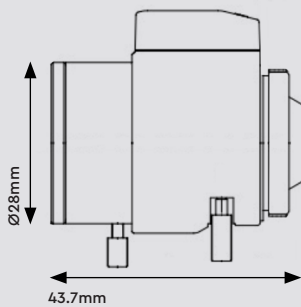
## Specification

---

<b>Image Format</b>	1/27"
<b>Focal Length</b>	2.8-12mm
<b>F No.</b>	F1.4
<b>Back Focal Length</b>	6.52mm
<b>Focus Range</b>	0.2m~∞
<b>Field of View</b>	D: 127°-40°, H: 112°-35°, V: 59°-19°
<b>Resolution</b>	2MP
<b>Sensor Format</b>	1/27"
<b>Zoom</b>	Manual
<b>Focus</b>	Manual
<b>Iris</b>	Auto
<b>Coating Wavelength</b>	400nm~850nm
<b>Mount</b>	CS
<b>Operating Conditions</b>	Temperature : -20°C ~ 70°C, Humidity : 30% - 70%
<b>Dimensions</b>	28 × 43.7 mm

## Dimensions

---



## Accessories

---



**FILTERKIT4**  
Filter Set Up Kit